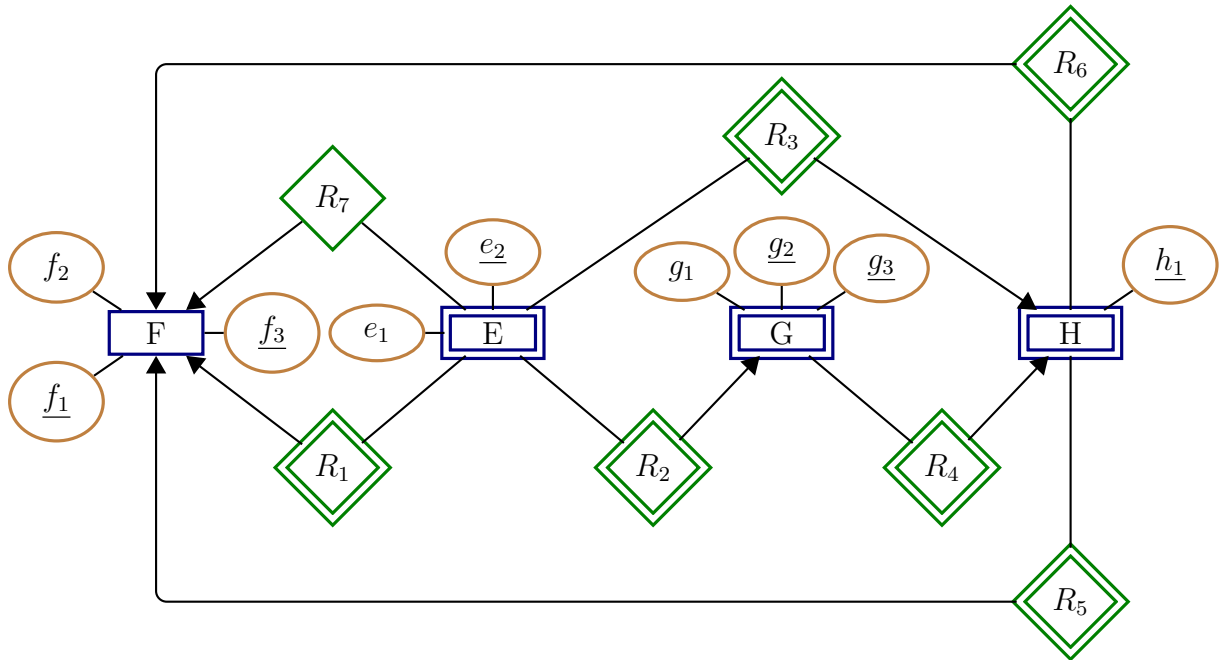


**Today:** ER modeling. §§4.0-4.4.

**Next class:** Mapping ER models. §§4.5-4.6.

**Reminders:** Newsgroup. Reading. Homework.

1. List the members of your group below. Underline your name.
2. Determine the primary key of each of the entity sets below. Explain your answer.



3. Map the ER diagram of Question 2 to a relational schema.

